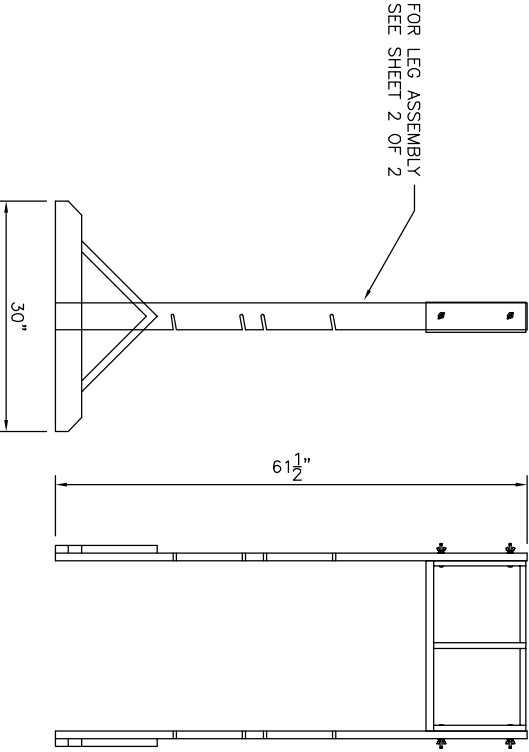
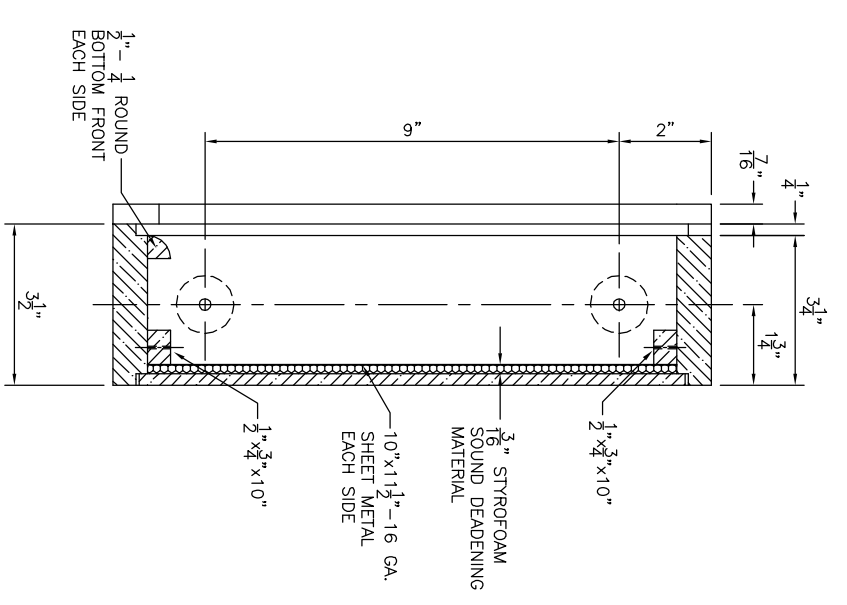


TOP VIEW



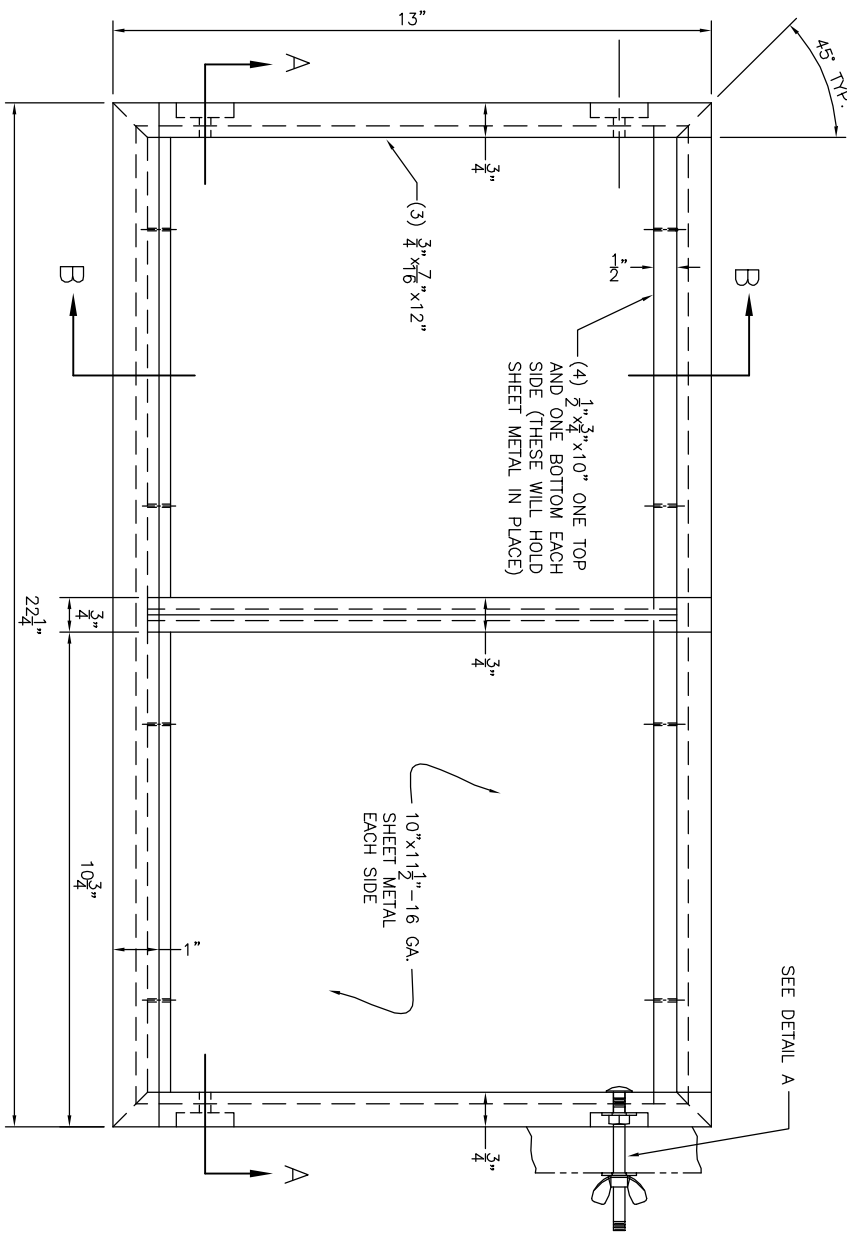
LEFT SIDE

FRONT VIEW



SECTION B-B

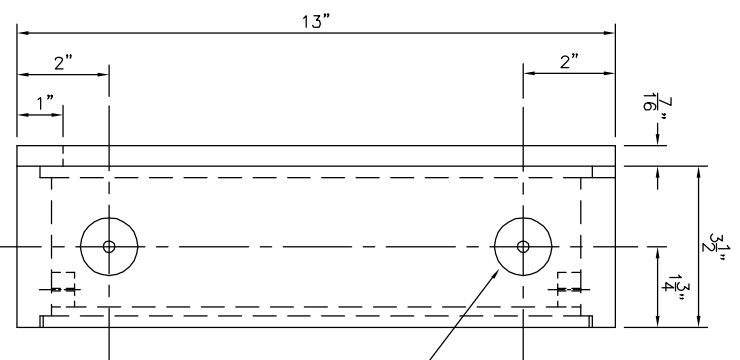
SCALE: HALF



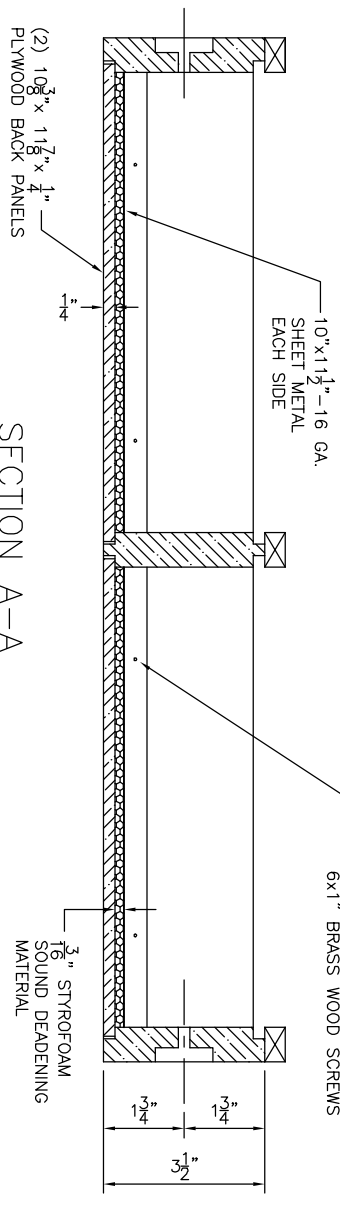
FRONT VIEW

TARGET BOX

SCALE: HALF



SIDE VIEW

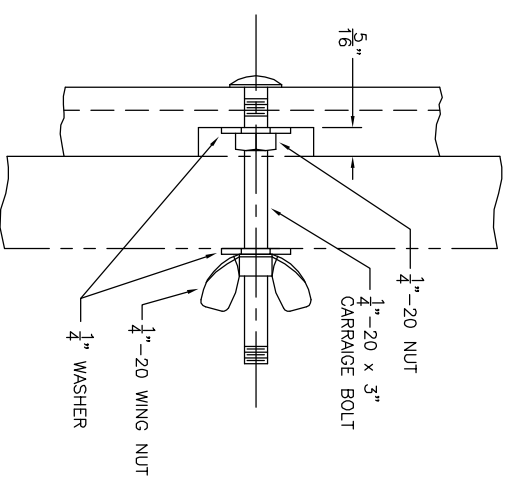


SECTION A-A

SCALE: HALF

TARGET STAND ASSEMBLED

SCALE: 1"=1'-0"



DETAIL A

SCALE: FULL

BILL OF MATERIAL
TARGET BOX ASSEMBLY

MAIN FRAME	
(2)	3/4" x 3 1/2" x 22 1/4" TOP & BOTTOM
(2)	3/4" x 3 1/2" x 13" LEFT & RIGHT
(1)	3/4" x 3 1/2" x 11 1/2" MIDDLE
(4)	1/2" x 3/4" x 10"
(2)	1/2" - 1/4" ROUND x 10"
(3)	3/4" x 7/16" x 12"
(1)	1" x 7/16" x 22 1/2"
(2)	10 3/8" x 11 7/8" x 1/4" PLYWOOD BACK PANELS
(2)	10" x 11 1/2" - 16 GA. SHEET METAL
(2)	10 1/2" x 12" x 3/16" STYROFOAM SOUND DEADENING MATERIAL, THIS WILL HAVE TO BE TRIMMED
HARDWARE	
(8)	#6 x 1" BRASS WOOD SCREWS
(4)	1/4" - 20 x 3" CARRIAGE BOLT
(4)	1/4" - 20 NUT
(8)	1/4" WASHER
(4)	1/4" - 20 WING NUT

NOTE:
FOR LASTING RESULTS USE
#1 GRADE LUMBER AND
STAINLESS STEEL HARDWARE.

AIR RIFLE TARGET STAND
TARGET BOX
ASSEMBLY

CIVILIAN MARKSMANSHIP PROGRAM
200 BOX 376
PORT CLINTON, OHIO 43452

SCALE AS SHOWN	PAWN BY	REVISION	DATE
SHEET 1 OF 2	D. TORIS		
MATERIAL: WOOD	DATE: 12/12/2004		
	JOB NO. GNP-1		
	Daniel B. Toris, Sr. d.b.a.		
	DTS Drafting Services		
	524 Jefferson Street • Port Clinton, OH 43452		
	Phone (419) 341-2921 • e-mail: dts@delphi.net		